

Remarks:

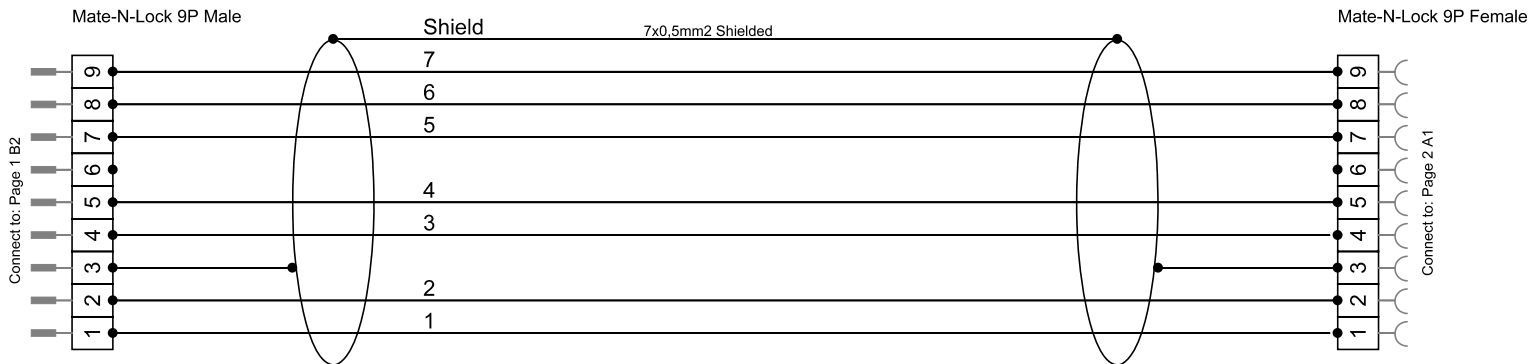
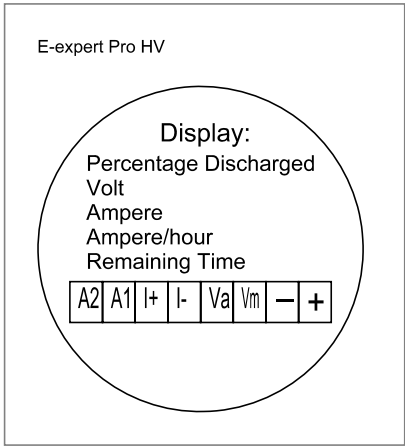
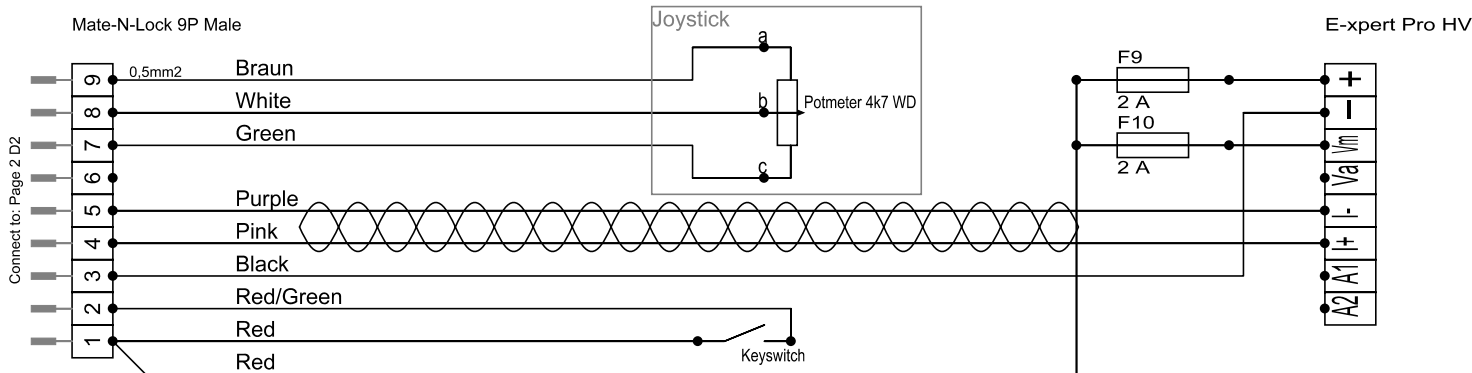
All power cables should be kept short and were possible run parallel.
 All signal cables should be shielded.
 Only use double insulated power cables.
 Do not exceed recommended fuses en fuse types.
 Main fuses should be installed within 3 metre. from battery
 Do not install fuses in battery compartments

Electric scheme:
 Arka POD systems
 Type: AIN18,5kW
 Page 1 of 2
 Rev: 10-01 2017
 H. Arendshorst

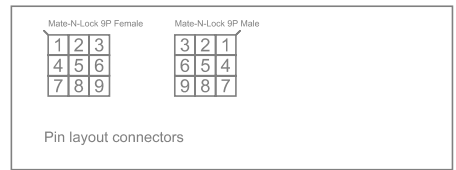


Arka


Electric propulsion systems



LED indicator Flashes	Fault:	Seriousness	Condition:	Checklist / Actions:
0	Internal or hardware fault	RTB	Hardware failsafe	Contact Dealer
1	Config fault	VS	Settings out off range	Contact Dealer
2	Startup fault	DI	Direction active on startup	Move joystick in neutral or check mechanical and wiring
3	Short circuit in motor cables	VS	Flooded motor or cable short circuit	Check motorcables
4	Line contactor fault	S	Line contactor welded or dirty	Check line contactor
5	No motor connected	S	No response on motor	Check motorcables
6	Joystick out off range	VS	Joystick settings or wrong joystick	Check joystick wiring and potmeter
7	Battery voltage high/low	S	Battery voltage To high/low or cable	Check battery and batterycables
8	Motor or controller temerature	I	Reduced power	Reduce power or reduce load an check propeller
10	Pre operational	I	Programming mode	Contact dealer
11	Encoder or Current fault	VS	No rotation detected	Check propeller and shearpin
12	Com error	S	No display possible	Check dispaywiring
13	Software damaged	RTB	Runtime error in software	Contact Dealer
Others	Settings out of range	RTB	No program running	Contact dealer



Electric scheme:
 Arka POD systems
 Type: AIN18,5kW
 Page 2 of 2
 Rev: 10-01 2017
 H. Arendshorst



Arka
 Electric propulsion systems

1

2

3

4